

YANMAR

SERVICE MANUAL

**3JH4E/4JH4E/
4JH4-TE/4JH4-HTE**

YANMAR®

SERVICE MANUAL

MARINE DIESEL ENGINE

3JH4E/4JH4E/4JH4-TE/4JH4-HTE

YANMAR CO.,LTD.

		Publication No.		0BJH4-G00100	
History of Revision					
Manual Name		Service Manual for Marine Diesel Engine			
Engine Model:		3JH4E / 4JH4E / 4JH4-TE / 4JH4-HTE			
Number of revision	Date of revision	Reason for correction	Outline of correction	Correction item No (page)	Corrected by
New edition		February 2004			
1	Aug. 2006	Adding 4JH4-TE / 4JH4-HTE.	<ul style="list-style-type: none"> • 4JH4-TE and 4JH4-HTE added. • Manual code "M9961-03E091" was changed to "0BJH4-G00100". • 3 / 4JH4E alternator standard. 	Page 4, 5, 304, 308	Marine Business Development Dept.

FOREWORD

This service manual has been compiled for engineers engaged in sales, service, inspection and maintenance. Accordingly, descriptions of the construction and functions of the engine are emphasized in this manual, while items, which should already be common knowledge, are omitted.

One characteristic of a marine diesel engine is that its performance in a vessel is governed by the applicability of the vessel's hull construction and its steering system.

Engine installation, fitting out and propeller selection have a substantial effect on the performance of the engine and the vessel. Moreover, when the engine runs unevenly or when trouble occurs, it is essential to check a wide range of operating conditions - such as installation to the full and suitability of the ship's piping and propeller - and not just the engine itself. To get maximum performance from this engine, you should completely understand its functions, construction and capabilities, as well as proper use and servicing.

Use this manual as a handy reference in daily inspection and maintenance, and as a text for engineering guidance.

Model 3JH4E and 4JH4-TE have been used for the illustrations in this service manual, but they apply to other models in the JH4 series engines.

California Proposition 65 Warning

Diesel engine exhaust and some of its constituents are known to the State of California to cause cancer, birth defects, and other reproductive harm.
(only for 3JH4E)

California Proposition 65 Warning

Battery posts, terminals, and related accessories contain lead and lead compounds, chemicals known to the State of California to cause cancer and reproductive harm.
Wash hands, after handling.
(only for 3JH4E)

CONTENTS

1. General	1
1.1 Exterior views	1
1.2 Specifications	4
1.3 Fuel oil, lubricating oil and coolant	10
1.3.1 Fuel oil.....	10
1.3.2 Lubricating oil.....	12
1.3.3 Coolant.....	13
1.4 Engine outline	14
1.5 Piping diagrams	33
1.6 Exhaust Gas Emission Regulation in U.S.A. only	46
1.6.1 Engines under 37kw: 3JH4E.....	46
1.6.2 Engines of 37kW or more: 4JH4-TE and 4JH4-HTE.....	49
2. Inspection and adjustment	52
2.1 Periodic maintenance schedule	52
2.2 Periodic inspection and maintenance procedure	54
2.2.1 Check before starting.....	54
2.2.2 Inspection after initial 50 hours or one month operation.....	60
2.2.3 Inspection every 50 hours or monthly	69
2.2.4 Inspection every 250 hours or one year.....	74
2.2.5 Inspection every two years.....	84
2.2.6 Inspection every 1,000 hours or four years.....	84
2.3 Adjusting the no-load maximum or minimum speed	94
2.4 Sensor inspection	95
2.4.1 Oil pressure switch.....	95
2.4.2 Thermo switch.....	95
2.5 Thermostat inspection	96
2.6 Adjusting operation	97
2.6.1 Preliminary precautions.....	97
2.6.2 Adjusting operation procedure	97
2.6.3 Check points and precautions during running.....	98
2.7 Long storage	99
3. Troubleshooting	100
3.1 Preparation before troubleshooting	100

3.2 Quick reference chart for troubleshooting	101
3.3 Troubleshooting (Concerning engine and fuel injection equipment)	117
3.4 Troubleshooting by measuring compression pressure	120
4. Disassembly and reassembly	122
4.1 Disassembly and reassembly precautions	122
4.2 Disassembly and reassembly tools	123
4.2.1 General hand tools.....	123
4.2.2 Special hand tools.....	125
4.2.3 Measuring instruments.....	131
4.2.4 Other material	136
4.3 Disassembly and reassembly	138
4.3.1 Disassembly.....	138
4.3.2 Reassembly	156
5. Inspection and servicing of basic engine parts	175
5.1 Cylinder block	175
5.1.1 Inspection of parts.....	175
5.1.2 Cleaning of oil holes.....	175
5.1.3 Color check procedure	176
5.1.4 Replacement of cup plugs.....	177
5.1.5 Cylinder bore measurement.....	178
5.2 Cylinder head	179
5.2.1 Inspecting the cylinder head	181
5.2.2 Valve seat correction procedure	182
5.2.3 Intake/exhaust valves, valve guides.....	184
5.2.4 Valve springs.....	188
5.2.5 Assembling the cylinder head	190
5.2.6 Measuring top clearance.....	191
5.2.7 Intake and exhaust rocker arms.....	192
5.2.8 Adjustment of valve clearance	193
5.3 Piston and piston pins	194
5.3.1 Piston	195
5.3.2 Piston pin	196
5.3.3 Piston rings	197
5.4 Connecting rod	200

5.4.1	Inspecting the connection rod	201
5.4.2	Crank pin metal	202
5.4.3	Piston pin bushing	204
5.5	Crankshaft and main bearing	205
5.5.1	Crankshaft	205
5.5.2	Main bearing	208
5.6	Camshaft and tappets	209
5.6.1	Camshaft	209
5.6.2	Tappets	211
5.7	Timing gear	212
5.7.1	Inspecting the gears	212
5.7.2	Gear timing marks	212
5.8	Flywheel and housing	213
5.8.1	Position of top dead center and fuel injection timing	214
5.8.2	Damper disc	214
6.	Fuel Injection equipment	215
6.1	Fuel Injection pump/governor for 3JH4E and 4JH4E	215
6.1.1	Fuel system diagram	215
6.1.2	Fuel injection pump service data	216
6.1.3	Fuel injection pump structure	219
6.1.4	Removing a fuel injection pump	220
6.1.5	Installing a fuel injection pump	221
6.1.6	Adjusting fuel injection timing	221
6.1.7	Troubleshooting of fuel injection pump	221
6.1.8	Tools	222
6.2	Fuel feed pump	224
6.2.1	Construction of fuel feed pump	224
6.2.2	Fuel feed pump specifications	224
6.2.3	Disassembly and reassembly of fuel feed pump	225
6.2.4	Fuel feed pump inspection	226
6.3	Fuel injection pump/ governor for 4JH4-TE and 4JH4-HTE	227
6.3.1	Fuel system diagram	227
6.3.2	Fuel injection pump structure	228
6.3.3	Fuel injection pump service data	233
6.3.4	Removing a fuel injection pump	234

6.3.5	Installing a fuel injection pump	235
6.3.6	Adjusting fuel injection timing.....	235
6.3.7	Troubleshooting of fuel injection pump	236
6.4	Fuel injection nozzle	237
6.5	Fuel Filter	239
6.5.1	Fuel filter for 3JH4E and 4JH4E.....	239
6.5.2	Fuel filter for 4JH4-TE and 4JH4-HTE	240
6.6	Fuel tank	241
7.	Intake and exhaust system	242
7.1	Intake system	242
7.1.1	3JH4E and 4JH4E.....	242
7.1.2	4JH4-TE	242
7.1.3	4JH4-HTE	242
7.1.4	Breather system (A reductor to intake air system of blowby gas).....	243
7.1.5	Diaphragm assy inspection (only for 3JH4E and 4JH4E)	244
7.2	Exhaust system	245
7.2.1	Exhaust system for 3JH4E and 4JH4E	245
7.2.2	Exhaust system for 4JH4-TE and 4JH4-HTE.....	246
7.2.3	Mixing elbow inspection	246
7.3	Turbocharger	247
8.	Lubrication system	252
8.1	Lubrication system	252
8.2	Lube oil pump	253
8.2.1	Lube oil pump construction	253
8.2.2	Specifications of lube oil pump.....	253
8.2.3	Lube oil pump disassembly and reassembly	254
8.2.4	Lube oil pump inspection	255
8.2.5	Oil pressure control valve construction	256
8.3	Lube oil filter	257
8.3.1	Lube oil filter construction	257
8.3.2	Lube oil filter replacement.....	257
8.4	Lube oil cooler	258
8.4.1	Lube oil cooler construction	258
8.4.2	Inspecting the lube oil cooler.....	258


8.5 Piston cooling oil nozzle	259
8.6 Rotary waste oil pump (Optional)	260
9. Coolant system	261
9.1 Coolant system	261
9.2 Seawater pump	263
9.2.1 Specifications of seawater pump	264
9.2.2 Seawater pump disassembly	265
9.2.3 Seawater pump Inspection.....	265
9.2.4 Seawater pump reassembly.....	266
9.3 Fresh water pump	267
9.3.1 Fresh water pump construction.....	267
9.3.2 Specifications of fresh water pump	268
9.3.3 Fresh water pump disassembly	268
9.3.4 Fresh water pump inspection	269
9.4 Heat exchanger	271
9.4.1 Heat exchanger construction	271
9.4.2 Specifications of heat exchanger	271
9.4.3 Disassembly and reassembly of the heat exchanger.....	271
9.4.4 Heat exchanger inspection.....	272
9.5 Pressure cap and coolant recovery tank	273
9.5.1 Pressure cap construction.....	273
9.5.2 Pressure cap pressure control	273
9.5.3 Pressure cap inspection.....	273
9.5.4 Replacing filler neck	274
9.5.5 Function of the coolant recovery tank	275
9.5.6 Specifications of coolant recovery tank.....	275
9.5.7 Mounting the coolant recovery tank	276
9.5.8 Precautions on usage of the coolant recovery tank	276
9.6 Thermostat	277
9.6.1 Functioning of thermostat.....	277
9.6.2 Thermostat construction.....	277
9.6.3 Characteristics of thermostat	277
9.6.4 Thermostat inspection.....	277
9.6.5 Testing the thermostat	277
9.7 Bilge pump and bilge strainer (Optional)	278

9.7.1	Introduction	278
9.7.2	Description	279
9.7.3	Cautions	280
9.7.4	Assembly procedure	281
9.7.5	Cautions for assembling.....	283
9.7.6	Troubleshooting	285
10.	Reduction and reversing gear	286
10.1	Specifications of 3JH4E marine gears	286
10.2	Specifications of 4JH4E and marine gears	287
10.3	Specifications of 4JH4-TE and 4JH4-HTE marine gears	288
11.	Remote control system (Optional)	290
11.1	Remote control system	290
11.1.1	Construction of remote control system.....	290
11.1.2	Remote control device components.....	290
11.2	Remote control installation	292
11.3	Remote control inspection	295
11.4	Remote control adjustment	296
12.	Electrical system	297
12.1	Electrical system	297
12.1.1	Wiring diagram	298
12.2	Battery	300
12.3	Starting motor	301
12.3.1	Specifications.....	301
12.3.2	Characteristics	301
12.3.3	Structure.....	302
12.3.4	Wiring diameter of a starting motor	303
12.4	Alternator 12V/60A (Optional)	304
12.4.1	Specifications	304
12.4.2	Structure.....	305
12.4.3	Wiring diagram	306
12.4.4	Standard output characteristics.....	306
12.4.5	Inspection.....	307
12.5	Alternator 12V/80A (Standard)	308
12.5.1	Specifications	308

12.5.2 Structure.....	309
12.5.3 Wiring diagram.....	310
12.5.4 Standard output characteristics.....	310
12.6 Instrument panel	311
12.6.1 B-type instrument panel (Selectable optional)	311
12.6.2 C-type instrument panel (Selectable optional)	311
12.7 Warning devices	312
12.7.1 Oil pressure alarm.....	312
12.7.2 Sender unit for lube oil pressure gauge	313
12.7.3 Coolant temperature alarm	314
12.7.4 Sender unit for the coolant temperature gauge.....	314
12.8 Air heater (Optional)	315
12.9 Electric engine stopping device	316
13. Service standards	317
13.1 Engine tuning	317
13.2 Engine body	319
13.2.1 Cylinder head.....	319
13.2.2 Camshaft and gear train.....	321
13.2.3 Cylinder block.....	322
13.3 Lubricating oil system (Trochoid pump)	326
14. Tightening torque for bolts and nuts	327
14.1 Main bolt and nut	327
14.2 Standard bolts and nuts (without lube oil)	327

FOR SAFETY

1. SAFETY LABELS

- Most accidents are caused by negligence of basic safety rules and precautions. For accident prevention, it is important to avoid such causes before development to accidents.
Please read this manual carefully before starting repair or maintenance to fully understand safety precautions and appropriate inspection and maintenance procedures.
Attempting at a repair or maintenance job without sufficient knowledge may cause an unexpected accident.
- It is impossible to cover every possible danger in repair or maintenance in the manual. Sufficient consideration for safety is required in addition to the matters marked  . Especially for safety precautions in a repair or maintenance job not described in this manual, receive instructions from a knowledgeable leader.
- Safety marks used in this manual and their meanings are as follows:



DANGER-indicates an imminent hazardous situation which, if not avoided, WILL result in death or serious injury.



WARNING-indicates a potentially hazardous situation which, if not avoided, COULD result in death or serious injury.



CAUTION-indicates a potentially hazardous situation which, if not avoided, may result in minor or moderate injury.

- **NOTICE** - indicates that if not observed, the product performance or quality may not be guaranteed.

2. Safety Precautions

(1) SERVICE AREA

WARNING



- **Sufficient Ventilation**

Inhalation of exhaust fumes and dust particles may be hazardous to one's health. Running engines, welding, sanding, painting, and polishing tasks should be only done in well-ventilated areas.

CAUTION

- **Safe / Adequate Work Area**

The service area should be clean, spacious, level and free from holes in the floor, to prevent "slip" or "trip and fall" type accidents.

CAUTION

- **Clean, orderly arranged place**

No dust, mud, oil or parts should be left on the floor surface.
[Failure to Observe]
An unexpected accident may be caused.

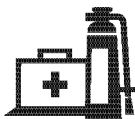
CAUTION



- **Bright, Safely Illuminated Area**

The work area should be well lit or illuminated in a safe manner. For work in enclosed or dark areas, a "drop cord" should be utilized. The drop cord must have a wire cage to prevent bulb breakage and possible ignition of flammable substances.

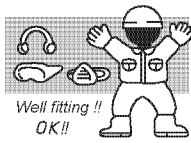
CAUTION



- **Safety Equipment**

Fire extinguisher(s), first aid kit and eye wash / shower station should be close at hand (or easily accessible) in case of an emergency.

(2) WORK - WEAR (GARMENTS)



• Safe Work Clothing

Appropriate safety wear (gloves, special shoes / boots, eye / ear protection, head gear, harness', clothing, etc.) should be used / worn to match the task at hand. Avoid wearing jewelry, unbuttoned cuffs, ties or loose fitting clothes around moving machinery. A serious accident may occur if caught in moving / rotating machinery.

(3) TOOLS

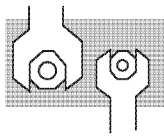


• Appropriate Lifting / Holding

When lifting an engine, use only a lifting device (crane, jack, etc.) with sufficient lifting capacity. Do not overload the device. Use only a chain, cable, or lifting strap as an attaching device. Do not use rope, serious injury may result.

To hold or support an engine, secure the engine to a support stand, test bed or test cart designed to carry the weight of the engine. Do not overload this device, serious injury may result.

Never run an engine without being properly secured to an engine support stand, test bed or test cart, serious injury may result.



• Appropriate Tools

Always use tools that are designed for the task at hand. Incorrect usage of tools may result in damage to the engine and or serious personal injury.

(4) GENUINE PARTS and MATERIALS

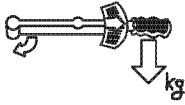


• Genuine Parts

Always use genuine YANMAR parts or YANMAR recommended parts and goods. Damage to the engine, shortened engine life and or personal injury may result.

(5) FASTENER TORQUE

WARNING

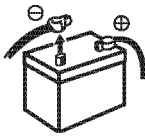


• Torquing Fasteners

Always follow the torque values and procedures as designated in the service manual. Incorrect values, procedures and or tools may cause damage to the engine and or personal injury.

(6) Electrical

WARNING



• Short Circuits

Always disconnect the (-) Negative battery cable before working on the electrical system. An accidental "short circuit" may cause damage, fire and or personal injury. Remember to connect the (-) Negative battery cable (back onto the battery) LAST

WARNING



• Charging Batteries

Charging wet celled batteries produces hydrogen gas. Hydrogen gas is extremely explosive. Keep sparks, open flame and any other form of ignition away. Explosion may occur causing severe personal injury.

WARNING



• Battery Electrolyte

Batteries contain sulfuric acid. Do NOT allow it to come in contact with clothing, skin and or eyes, severe burns will result.

(7) WASTE MANAGEMENT

CAUTION

Observe the following instructions with regard to hazardous waste disposal. Negligence of these will have a serious impact on environmental pollution concerns.

- 1) Waste fluids such as lube oil, fuel and coolant shall be carefully put into separate sealed containers and disposed of properly.
- 2) Do NOT dispose of waste materials irresponsibly by dumping them into the sewer, overland or into natural waterways.
- 3) Waste materials such as oil, fuel, coolant, solvents, filter elements and batteries, must be disposed of properly according to local ordinances. Consult the local authorities or reclamation facility.

(8) FURTHER PRECAUTIONS

WARNING



• Fueling / Refueling

Keep sparks, open flames or any other form of ignition (match, cigarette, etc.) away when fueling / refueling the unit. Fire and or an explosion may result.

CAUTION



• Hot Surfaces.

Do NOT touch the engine (or any of its components) during running or shortly after shutting it down. Scalding / serious burns may result. Allow the engine to cool down before attempting to approach the unit.

WARNING



• Rotating Parts

Be careful around moving / rotating parts. Loose clothing, jewelry, ties or tools may become entangled causing damage to the engine and or severe personal injury.

DANGER



• Preventing burns from scalding

- 1) Never open the filler cap shortly after shutting the engine down. Steam and hot water will spurt out and seriously burn you. Allow the engine to cool down before attempt to open the filler cap.
- 2) Securely tighten the filler cap after checking the coolant. Steam can spurt out during engine running, if tightening loose.

CAUTION

• Safety Label Check

Pay attention to the product safety label.

A safety label (caution plate) is affixed on the product for calling special attention to safety. If it is missing or illegible, always affix a new one.

3. Precautions for Service Work

(1) Precautions for Safety

Read the safety precautions given at the beginning of this manual carefully and always mind safety in work.

(2) Preparation for Service Work

Preparation is necessary for accurate, efficient service work. Check the customer ledger file for the history of the engine.

- Preceding service date
- Period / operation hours after preceding service
- Problems and actions in preceding service
- Replacement parts expected to be required for service
- Recording form / check sheet required for service

(3) Preparation before Disassembly

- Prepare general tools, special service tools, measuring instruments, oil, grease, non-reusable parts, and parts expected to be required for replacement.
- When disassembling complicated portions, put match-marks and other marks at places not adversely affecting the function for easy reassembly.

(4) Precautions in Disassembly

- Each time a parts is removed, check the part installed state, deformation, damage, roughening, surface defect, etc.
- Arrange the removed parts orderly with clear distinction between those to be replaced and those to be used again.
- Parts to be used again shall be washed and cleaned sufficiently.
- Select especially clean locations and use clean tools for disassembly of hydraulic units such as the fuel injection pump.

(5) Precautions for Inspection and Measurement

Inspect and measure parts to be used again as required to determine whether they are reusable or not.

(6) Precautions for Reassembly

- Reassemble correct parts in correct order according to the specified standards (tightening torques, and adjustment standards). Apply oil important bolts and nuts before tightening when specified.
- Always use genuine parts for replacement.
- Always use new oil seals, O-rings, packing and cotter pins.
- Apply sealant to packing depending on the place where they are used. Apply of grease to sliding contact portions, and apply grease to oil seal lips.

(7) Precautions for Adjustment and Check

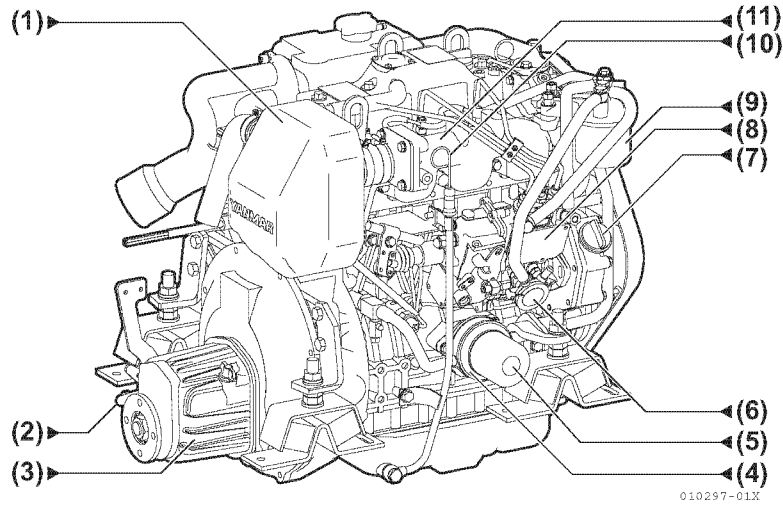
Use measuring instruments for adjustment to the specified service standards.

1. General

1.1 Exterior views

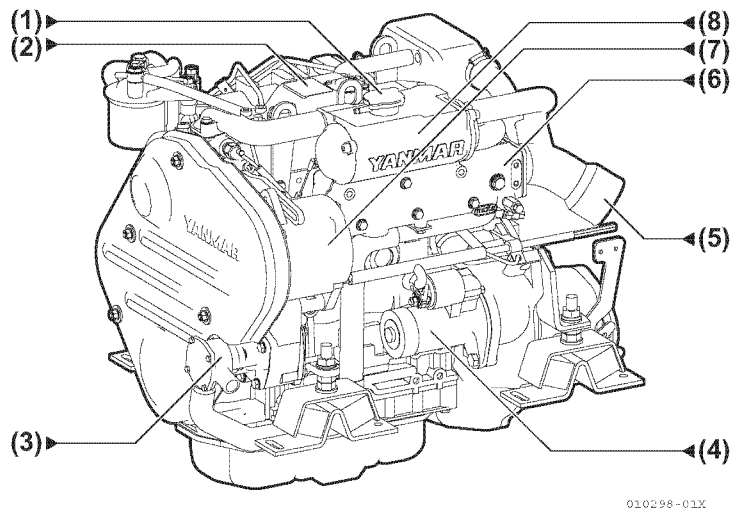
(1) 3JH4E

• Operation side



(1)	Intake silencer	(5)	Lube oil filter	(9)	Fuel filter
(2)	Shift lever	(6)	Fuel feed pump	(10)	Dipstick
(3)	Marine gear	(7)	Oil filter cap	(11)	Intake manifold
(4)	Oil cooler	(8)	Fuel injection pump		

• Non operation side



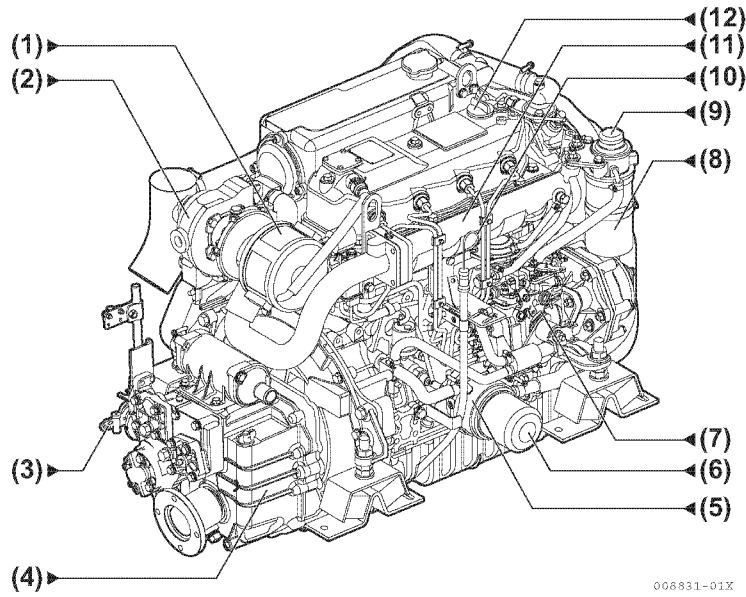
(1)	Coolant filler cap	(4)	Starter motor	(7)	Alternator
(2)	Engine name plate (on the rocker arm cover)	(5)	Exhaust mixing elbow	(8)	Coolant tank/Heat exchanger
(3)	Seawater pump	(6)	Exhaust manifold		

<Note> This illustration shows the 3JH4E with Yanmar marine gear (Model:KM35P).

1. General

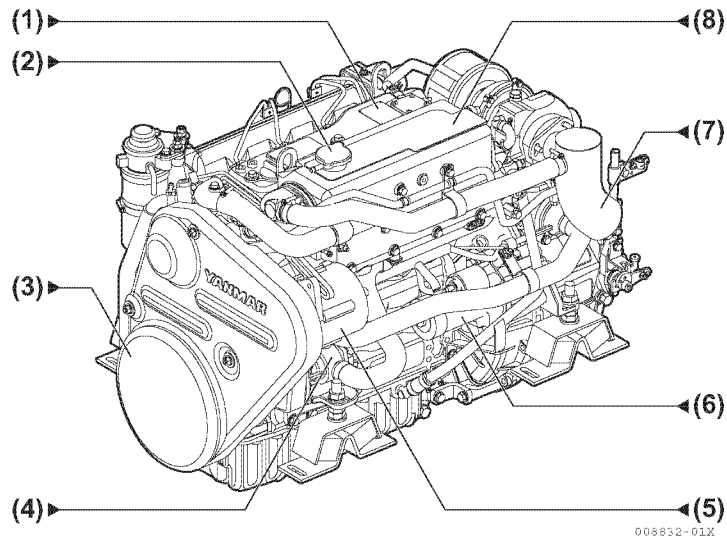
(2) 4JH4-TE

• Operation side



(1)	Intake silencer	(5)	Lube oil cooler	(9)	Fuel priming pump
(2)	Turbocharger	(6)	Lube oil filter	(10)	Dipstick
(3)	Shift lever	(7)	Fuel injection pump	(11)	Intake manifold
(4)	Marine gear (KMH4A)	(8)	Fuel filter	(12)	Oil filler cap

• Non operation side

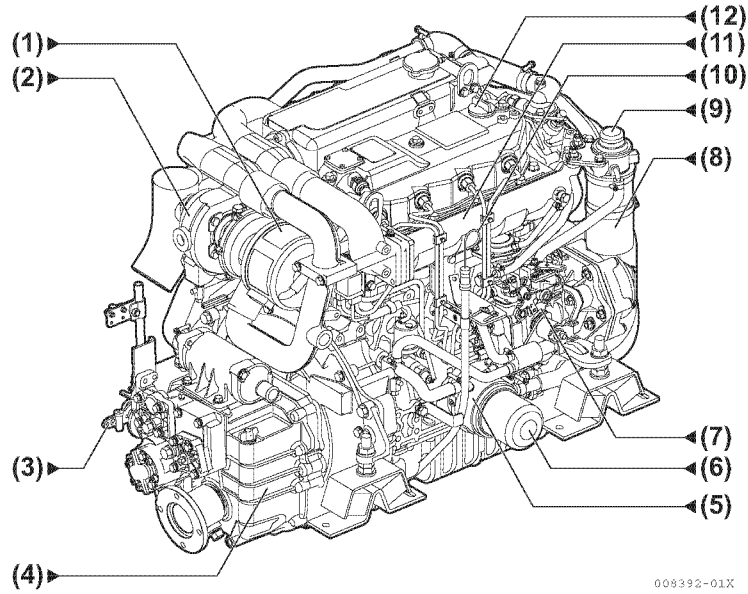


(1)	Engine name plate (on the rocker arm cover)	(4)	Seawater pump	(7)	Exhaust mixing elbow
(2)	Coolant filler cap	(5)	Alternator	(8)	Coolant tank/Heat exchanger
(3)	Belt cover	(6)	Starter motor		

<Note> This illustration shows the 4JH4-TE with Yanmar marine gear (Model: KMH4A).

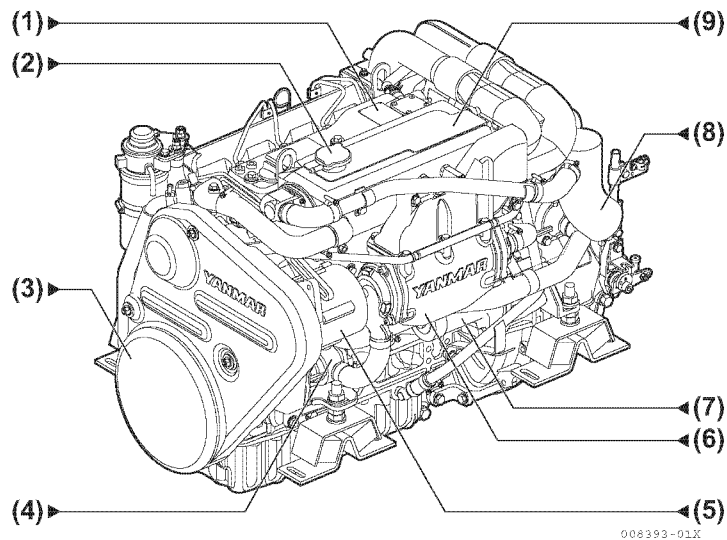
(3) 4JH4-HTE

- Operation side



(1)	Intake silencer	(5)	Lube oil cooler	(9)	Fuel priming pump
(2)	Turbocharger	(6)	Lube oil filter	(10)	Dipstick
(3)	Shift lever	(7)	Fuel injection pump	(11)	Intake manifold
(4)	Marine gear (KMH4A)	(8)	Fuel filter	(12)	Oil filler cap

- Non operation side



(1)	Engine name plate (on the rocker arm cover)	(4)	Seawater pump	(7)	Starter motor
(2)	Coolant filler cap	(5)	Alternator	(8)	Exhaust mixing elbow
(3)	Belt cover	(6)	Intercooler	(9)	Coolant tank/Heat exchanger

<Note> This illustration shows the 4JH4-HTE with Yanmar marine gear (Model: KMH4A).