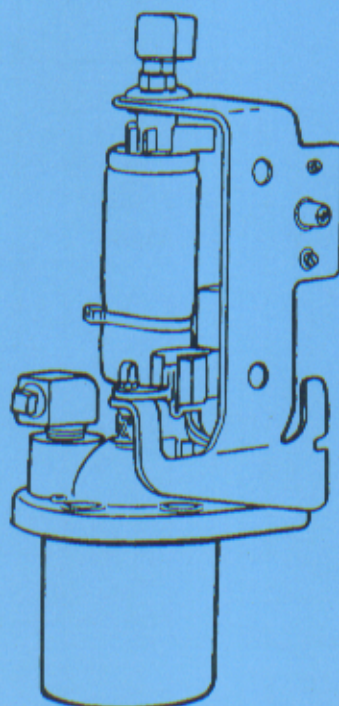
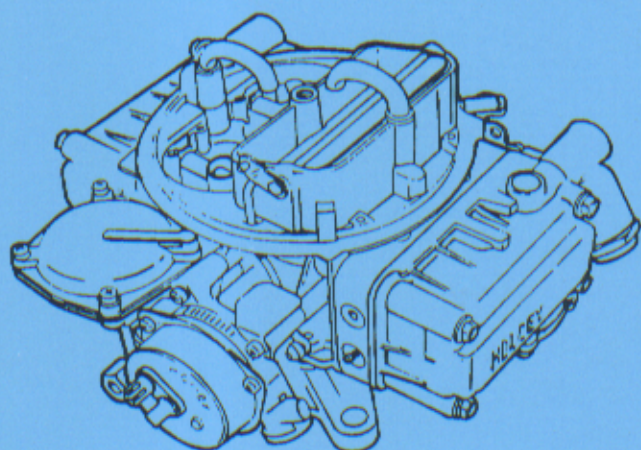


P/N 7796457-5  
4-1994

# *Workshop Manual*

## *1994 "MD" Models*

### *Fuel System*




**VOLVO  
PENTA**

## Safety Warning

This Workshop Manual will alert you to certain procedures that must be done very carefully. If you ignore this information, you could...

- Injure yourself or people around you
- Injure the boat operator, boat passengers, or people around the boat
- Damage the Volvo Penta product or its systems

Understand the following symbols before proceeding:

 <b>Safety Warning</b>	Alerts you to the possibility of danger and identifies information that will help prevent injuries.
<b>Note</b>	Identifies information that will help prevent damage to machinery.
<b>Important</b>	Appears next to information that controls correct assembly and operation of the product.

This Workshop Manual is written for qualified, factory trained service technicians familiar with the use of Volvo Penta special tools.

This Workshop Manual tells you how to correctly maintain and service Volvo Penta products and systems. When correctly serviced, the Volvo Penta product will be reliable and safe to operate.

When Volvo Penta special tools are called for, use them. Where mentioned, the tools are required to perform the service procedure.

If you use service procedures or service tools that are not recommended in this manual, **YOU ALONE** must decide if your actions might injure people or damage the Volvo Penta product.

# Contents

General Information .....	<b>1</b>
Carbureted Fuel System .....	<b>2</b>
Electronic Fuel Injection System - <i>Ford</i> .....	<b>3</b>
Safety Section .....	<b>S</b>

This workshop manual is one of a set of seven that covers *Volvo Penta* stern drive models. All seven books can be ordered as a set from *Volvo Penta Parts*. Order P/N 7796741-2.

Individual workshop manuals covering these models are also available. Order the following part numbers from *Volvo Penta Parts*.

- **P/N 7796484-9 Drive Unit and Transom Shield - SX models**

Includes information on Transom Shield, Upper Gear Unit and Lower Gear Unit service; Drive Unit removal and installation; Propellers; and Trim/Tilt hydraulic operation.

- **P/N 7796485-6 Engines**

Includes information on Engine service and troubleshooting; Engine removal and installation; Steering systems; Throttle and Shift Control systems; and Cooling systems.

- **P/N 7796456-7 Electrical/Ignition Systems - all models**

Includes service and troubleshooting information on Cranking systems; Charging systems; Trim/Tilt electrical systems; Ignition systems; and Engine and Instrument wiring diagrams.

- **P/N 7796457-5 Fuel Systems - all models**

Includes service and troubleshooting information on all carbureted and EFI fuel systems and related components.

- **P/N 7796458-3 Diagnostic Manual *Ford* - Fi Models Only**

Includes step by step troubleshooting procedures for all EFI related components and wiring.

- **P/N 7796431-0 Diagnostic Manual *GM* - Gi Models Only**

Contains troubleshooting procedures for all Gi models and related components.

- **P/N 7731624-8 SP and DP Workshop Manual**

Includes Upper Gear Unit and Lower Gear Unit overhaul procedures, installation and removal.

**This Volvo Penta Stern Drive Workshop Manual  
Covers The Following Volvo Penta Models**

Engine	Model Number	Transom Shield	Drive Unit
3.0 GL (M)	3868033	3868090	3868035 (1.85:1)
3.0 GS (P)	3868034	3868090	3868035 (1.85:1)
4.3 GL (P)	3868046	3868036	3868077 (1.66:1)
4.3 GS (P)	3868089	3868036	3868077 (1.66:1)
4.3 GS (P)	3868007	3868003	3868008 (2.30:1)*
5.0 FL (P)	3868055	3868036	3868077 (1.66:1)
5.0 Fi (P)	3868127	3868036	3868077 (1.66:1)
5.0 Fi (P)	3868127	3868036	3868068 (1.60:1)
5.7 GL (P)	3868067	3868036	3868068 (1.60:1)
5.7 GL (P)	3868013	3868003	3868002 (1.95:1)*
5.7 Gi (P)	3868010	3868003	3868022 (1.78:1)*
5.8 FL (P)	3868056	3868036	3868058 (1.51:1)
5.8 Fi (P)	3868128	3868036	3868058 (1.51:1)
7.4 GL (P)	3868015	3868003	3868022 (1.78:1)*
7.4 GL (P)	3868132	3868003	3868022 (1.78:1)*
8.2 GL (P)	3868019	3868024	3868020 (1.59:1) ●
			3868021 (1.68:1) ●
			3868023 (1.78:1) ●
8.2 GL (P)	3868133	3868024	3868020 (1.59:1) ●
			3868021 (1.68:1) ●
			3868023 (1.78:1) ●

(M) = Mechanical Steering

(P) = Power Steering

● DPX DRIVE UNIT

\*Duoprop DRIVE UNIT

# **Notes**

A series of horizontal dotted lines for writing notes.

# Section 1

## General Information

### Table of Contents

<b>Conversion Charts</b>	
Drill .....	1-26
Metric .....	1-25
<b>Engine Compression Testing</b> .....	1-5
<b>Gasolines Containing Alcohol</b> .....	1-9
<b>Gasoline Requirements</b> .....	1-8
<b>Introduction</b> .....	1-2
<b>Lubrication and Inspection Chart</b> .....	1-28
<b>Symbols</b> .....	1-27
<b>Torque Specifications, General</b> .....	1-16
<b>Troubleshooting - Engine Guides</b> .....	1-18
<b>Troubleshooting - System Isolation</b> .....	1-17
<b>Tune-up Specifications</b> .....	1-10
<b>Tuning the Engine</b> .....	1-5
<b>20-Hour Check</b> .....	1-16

### Safety Warning

Before working on any part of an *Volvo Penta* stern drive, read the section called **Safety** at the end of this manual.

## Introduction

This workshop manual covers *Volvo Penta* stern drive models. It is divided into sections concerning various systems and assemblies. Refer to the **Contents** to locate the section covering the system or assembly requiring service. Each section title page has an additional listing that will describe the section's contents in more detail. Be sure to read the **Safety Section** at the end of this manual, and pay special attention to all safety warnings as they appear throughout the text. Since models are subject to change at any time, some photos may not depict actual product.

### Good Service Practice

Service required for *Volvo Penta* stern drives is generally one of three kinds:

- **Normal care and maintenance** - which includes putting a new stern drive into operation, storing engines, lubrication, and care under special operating conditions such as salt water and cold weather.
- **Operating malfunctions** - due to improper engine or drive mounting, propeller condition or size, boat condition, or the malfunction of some part of the engine. This includes engine servicing procedures to keep the engine in prime operating condition.
- **Complete disassembly and overhaul** - such as major service or rebuilding a unit.

It is important to determine before disassembly just what the trouble is and how to correct it quickly, with minimum expense to the owner.

When repairing an assembly, the most reliable way to ensure a good job is to do a complete overhaul on that assembly, rather than just to replace the bad part. Wear not readily apparent on other parts could cause malfunction soon after the repair job. Repair kits and seal kits contain all the parts needed to ensure a complete repair, to eliminate guesswork, and to save time.


Repair time can also be minimized by the use of special tools. *Volvo Penta* special tools are designed to perform service procedures unique to the product that cannot be completed using tools from other sources. They also speed repair work to help achieve service flat rate times. In some cases, the use of substitute tools can damage the part.

**Note** Do not operate engine out of water even momentarily. If operated in test tank, use proper test wheel. Failure to do so can damage water pump, overheat engine, or allow excessive engine RPM.



## Preparation for Service

Proper preparation is extremely helpful for efficient service work. A clean work area at the start of each job will minimize tools and parts becoming misplaced. Clean an engine that is excessively dirty before work starts. Cleaning will occasionally uncover trouble sources. Obtain tools, instruments and parts needed for the job before work is started. Interrupting a job to locate special tools or repair kits is a needless delay.

 Use proper lifting and handling equipment. **Working on stern drives without proper equipment can cause damage and personal injury.**

Always use clean fresh fuel when testing engines. Troubles can often be traced to the use of old or dirty fuel.

## Service Policy

Whether within or following the warranty period, *Volvo Penta* has a constant interest in their products.


It is *Volvo Penta's* policy to provide dealers with service knowledge so they can give professional service demanded by today's consumer. The *Volvo Penta* Service Schools, frequent mailing of Service Bulletins, Letters and Promotions, Special Tools and this Workshop Manual represent *Volvo Penta's* efforts to assist dealers in giving consumers the best and most prompt service possible. This Workshop Manual covers all phases of servicing the *Volvo Penta* SX stern drive unit. If a service question does not appear to be answered in this manual, you are invited to write to the *Volvo Penta* Service Department for additional help. Always be sure to give complete information, including engine model number and serial number.

Be sure that you are familiar with *Volvo Penta's* Warranty. If you have any questions, write the *Volvo Penta* Service Department. If other than genuine *Volvo Penta* replacement components or parts are used, *Volvo Penta* may refuse subsequent warranty claims involving that engine.

When a brand-name product or specific tool is called for, another item may be used. However, the substitute must have equivalent characteristics, including type, strength, and material. You must determine if incorrect substitution could result in product malfunction and personal injury to anyone. To avoid hazards, equivalent products which are used must meet all current U.S. Coast Guard Safety Regulations and ABYC standards.



## Replacement Parts

 When replacement parts are required, always use genuine *Volvo Penta* parts, or parts with equivalent characteristics, including type, strength, and material. Failure to do so may result in product malfunction and possible injury to the operator and/or passengers.

## Parts Catalogs

Parts Catalogs contain exploded views showing the correct assembly of all parts, as well as a complete listing of the parts for replacement. These catalogs are helpful as a reference during disassembly and reassembly, and are available from *Volvo Penta Parts Dept.*

## Special Service Tools

*Volvo Penta* has specially designed tools to simplify some of the disassembly and assembly operations. These tools are illustrated in this Workshop Manual, in many cases in actual use. All *Volvo Penta* special tools can be order from *Volvo Penta Parts Dept.* Individual purchasers of Workshop Manuals must order Special Tools through an authorized dealer.

## Product References, Illustrations & Specifications

*Volvo Penta* reserves the right to make changes at anytime, without notice, in specifications and models and also to discontinue models. The right is also reserved to change any specifications or parts at any time without incurring any obligation to equip same on models manufactured prior to date of such change. All information, illustrations and specifications contained in this manual are based on the latest product information available at the time of printing. The right is reserved to make changes at anytime without notice.

All photographs and illustrations used in this manual may not depict actual models or equipment, but are intended as representative views for reference only. The continuing accuracy of this manual cannot be guaranteed.



## Tuning The Engine


The purpose of an engine tune-up is to restore power and performance that has been lost through wear, corrosion or deterioration of one or more parts or components. In the normal operation of an engine, these changes can take place gradually at a number of points, so that it is seldom advisable to attempt an improvement in performance by correction of one or two items only. Time will be saved and more lasting results will be obtained by following a definite and thorough procedure of analysis and correction of all items affecting power and performance.


Economical, trouble-free operation can better be ensured if a complete tune-up is performed once every year, preferably in the spring. Components that affect power and performance can be divided into three groups:

- Components affecting compression
- Components affecting ignition
- Components affecting fuel system

Tune-up procedures should cover these groups in the order given. While the items affecting compression and ignition may be handled according to personal preference, correction of items in the fuel system group should not be attempted until all items affecting compression and ignition have been satisfactorily corrected. Most of the procedures for performing a complete engine tune-up will be covered in greater detail in this manual. This section will deal mainly with the order of procedures involved in tuning the engine.

### Engine Compression Testing

 During all work done around the engine, while the engine is running or being cranked, use extreme care to avoid getting fingers or clothing caught in any belts, pulleys, or other moving parts.

 1. Visually inspect stern drive unit for leaks, missing parts or other obvious defects. **Replace deteriorated parts.**

2. Compression check: Proper compression is essential for good engine performance. An engine with low or uneven compression cannot be properly tuned.

- a. Operate engine to normal operating temperature.

**Note** Engine must **not** be started and run without water for cooling.



b. Remove any foreign matter from around spark plugs by blowing out with compressed air.

c. Remove and inspect all spark plugs. Install thread-type compression gauge in spark plug hole.



d. **To Prevent Sparking:**

- 3.0 GL, GS and 4.3 GL, GS Models - **remove (pink and brown) 2-wire connector from ignition coil.**
- 5.7, 7.4, 8.2 GL, 5.0 and 5.8 FL Models - **remove both distributor primary wires from the ignition coil, and tape wire terminals to prevent accidental grounding.**
- 5.7 Gi Models - **remove (pink and brown) 2-wire connector from distributor.**
- 5.0 and 5.8 Fi Models - **Unplug 2-way connector at ignition coil.**

e. With choke and throttle plates wide open, crank engine through at least four compression strokes, Carbureted models only.

### Test Conclusion

The indicated compression pressures are considered normal if the lowest reading cylinder is within 75% of the highest.

### Example:

If the highest pressure reading was 140 PSI, 75% of 140 is 105. Therefore, any cylinder reading less than 105 PSI indicates an improperly seated valve, worn valve guides or worn or broken piston rings. Any cylinder reading 105 PSI or greater is within specifications, and compression is considered normal.

If one or more cylinders read low, squirt approximately one tablespoon of engine oil on top of the pistons in the low reading cylinders. Repeat compression pressure check on the cylinders.

1. If compression improves considerably, the piston rings are at fault.

2. If compression does not improve, valves are sticking or seating poorly, or valve guides are worn.

3. If two adjacent cylinders indicate low compression pressures and squirting oil on the pistons does not increase the compression, the cause may be a cylinder head gasket leak between the cylinders. This problem could allow engine oil and/or coolant to enter the cylinders.



It is recommended the following quick reference chart be used when checking cylinder compression pressures. The chart has been calculated so that the lowest reading number is 75% of the highest reading.

### Compression Pressure Limit Chart

Max. PSI	Min. PSI	Max. PSI	Min. PSI	Max. PSI	Min. PSI	Max. PSI	Min. PSI
134	101	154	115	174	131	194	145
136	102	156	117	176	132	196	147
138	104	158	118	178	133	198	148
140	105	160	120	180	135	200	150
142	107	162	121	182	136	202	151
144	108	164	123	184	138	204	153
146	110	166	124	186	140	206	154
148	111	168	126	188	141	208	156
150	113	170	127	190	142	210	157
152	114	172	129	192	144	212	158

After checking cylinder compression, repairs should be made as necessary. Subsequent adjustments to an engine that does not have proper compression will not measurably improve performance or correct operational problems. After verifying compression, check ignition and fuel system components.

#### Ignition System

- Spark Plugs
- Spark Plug Leads
- Distributor Cap
- Rotor
- Ignition Coil
- High Tension Lead
- Ignition Switch
- Circuit Wiring and Connectors
- TFI Module
- ECM

#### Fuel System

- Fuel Tank Pickup and Screen
- Fuel Tank Vent
- Anti-Siphon Valve (if equipped)
- Fuel Octane and Quality
- Boat Fuel Lines and Valves
- External Engine Fuel Filter
- Fuel Pump and Line
- Carburetor Fuel Filter or Screen
- Carburetor Adjustments
- Engine PCV Valve (if equipped)
- Flame Arrestor
- Pressure Regulator and Injectors
- TBI

All of the above listed components are not necessarily part of an engine tune-up, but must be considered when attempting to correct engine/boat performance problems. Repair or replace components only as required.

**⚠ Do not substitute automotive parts. Volvo Penta marine components meet U.S. Coast Guard regulations for external ignition proof operation and marine use. Volvo Penta marine components are specially designed not to cause ignition of fuel vapors in the bilge or engine compartment. The use of automotive parts can result in fire and explosion.**



## Gasoline Requirements

*Volvo Penta* models are designed for maximum performance with the use of gasoline with the following minimum or higher octane specification:

- Anti-Knock Index Number (AKI) - 89
- Research Octane Number (RON) - 93

**EFI Models Only:** Some marinas sell fuel with lead additives. **Do not use leaded fuel as it may plug the fuel injectors.** Premium grade fuels contain injector cleaners and other additives that protect the fuel system and provide optimum performance. **The use of premium grade fuels is strongly recommended.**

**Carbureted Models Only:** Use of lead-free or leaded gasoline is acceptable.

**Note** Use of gasoline with lower than 89 AKI (93 RON) octane in 4.3 and 5.7 GL models, without retarding ignition timing as specified, will result in serious damage to your engine and will void the engine warranty.

If fuels with 89 AKI (93 RON) octane or higher are not available, the ignition timing on 4.3 and 5.7 GL models will have to be retarded so lower octane fuels, with minimum 87 AKI (91 RON) octane, can be used. Refer to "Timing" in **Tune-up Specifications**. When ignition timing is retarded, a slight decrease in power can be expected.

**Note** Engine damage resulting from the use of gasoline with octane lower than 87 AKI (91 RON) is considered misuse of the engine and will void the engine warranty. *Volvo Penta* suggests the use of 89 AKI or higher fuels. These fuels have additives that are beneficial to maximum engine performance and long life of service components.

To prevent gum formation and corrosion in the fuel system, use Fuel Conditioner in the gasoline. Fuel Conditioner is available from your *Volvo Penta* dealer.

**⚠ Gasoline is extremely flammable and highly explosive under certain conditions. Always stop engine and do not smoke or allow open flames or sparks near the boat when refueling gas tanks. When filling the gas tank, ground the tank to the source of gasoline by holding the hose nozzle firmly against the side of the deck filler plate, or ground it in some other manner. This action prevents static electricity build-up which could cause sparks and ignite fuel vapors.**



## Gasolines Containing Alcohol

Many gasolines being sold today contain alcohol. Two commonly used alcohol additives are Ethanol (ethyl alcohol) and Methanol (methyl alcohol).

See the Owner's Manual for your boat to determine if the boat's fuel system is compatible with alcohol blended fuels. If it is compatible, your engine may be operated using gasolines blended with no more than 10% Ethanol (ethyl alcohol) meeting the minimum octane specification. **Do not use any gasoline which contains METHANOL (methyl alcohol).**

**Note** Serious damage to the boat or engine fuel systems will result from the continued use of fuel containing **METHANOL** (methyl alcohol).

If you use gasoline containing alcohol, be aware of the following:

- The engine will operate leaner with alcohol blended fuel. This may cause engine problems such as vapor lock, low speed stall, or hard starting.
- Alcohol blended fuels attract and hold moisture. Moisture inside fuel tanks can cause corrosion of the tank material. Inspect fuel tanks at least annually. Replace fuel tanks if inspection indicates leakage or corrosion.
- Inspect non-metallic parts of fuel system frequently and replace if excessive stiffness, deterioration or fuel leakage is found.

 **Fuel leakage can contribute to a fire and/or explosion.**



### Crankcase Capacities

Model	Less Filter	With Filter
3.0 GL and GS	3.5 qts. (3,3 litres)	4.0 qts. (3,8 litres)
4.3 GL and GS	4.0 qts. (3,8 litres)	4.5 qts. (4,3 litres)
5.0 FL	5.0 qts. (4,7 litres)	6.0 qts. (5,7 litres)
5.7 GL and Gi	5.0 qts. (4,7 litres)	6.0 qts. (5,7 litres)
5.8 FL	5.0 qts. (4,7 litres)	6.0 qts. (5,7 litres)
5.0 Fi	5.0 qts. (4,7 litres)	6.0 qts. (5,7 litres)
5.8 Fi	4.0 qts. (3,8 litres)	5.0 qts. (4,7 litres)
7.4 and 8.2 GL	5.0 qts. (4,7 litres)	6.0 qts. (5,7 litres)

### Distributor Specifications

<b>3.0 GL and GS</b>
Sensor Air Gap . . . . . N/A - <i>Delco® EST</i> ignition system
Distributor Rotation . . . . . clockwise
<b>4.3 GL, GS and 5.7 Gi</b>
Sensor Air Gap . . . . . N/A - <i>Delco® EST</i> ignition system
Distributor Rotation . . . . . clockwise
<b>5.0 and 5.8 FL</b>
Sensor Air Gap . . . . . 0.008 in. (0,203 mm)
Distributor Rotation . . . . . counter-clockwise
<b>5.7, 7.4 and 8.2 GL</b>
Sensor Air Gap . . . . . 0.008 in. (0,203 mm)
Distributor Rotation . . . . . counter-clockwise
<b>5.0 and 5.8 Fi</b>
Sensor Air Gap . . . . . N/A - <i>Ford TFI-IV</i> ignition system
Distributor Rotation . . . . . counter-clockwise



### Engine Firing Order

3.0 GL and GS.....	1-3-4-2
4.3 GL and GS.....	1-6-5-4-3-2
5.0 and 5.8 FL.....	1-3-7-2-6-5-4-8
5.7 GL and Gi.....	1-8-4-3-6-5-7-2
5.0 and 5.8 Fi.....	1-3-7-2-6-5-4-8
7.4 and 8.2 GL.....	1-8-4-3-6-5-7-2

### Fuel Filters

All Models.....	P/N 3851218-2
-----------------	---------------

### Fuel Pump Pressure

All Carbureted Models Only.....	5.75-7 PSI (40-48 kPa) at idle RPM
---------------------------------	--

**Fi models: See Diagnostic Workshop Manual - Ford**  
**Gi models: See Diagnostic Workshop Manual - GM**

**Idle\* and Operating RPM**

<b>3.0 GL and GS</b>	
Idle.....	650-750 RPM
W.O.T.# .....	4200-4600 RPM
<b>4.3 GL</b>	
Idle.....	550-650 RPM
W.O.T.# .....	4200-4600 RPM
<b>4.3 GS</b>	
Idle.....	550-650 RPM
W.O.T.# .....	4400-4800 RPM
<b>5.0 FL</b>	
Idle.....	550-650 RPM
W.O.T.# .....	4200-4600 RPM
<b>5.7 GL</b>	
Idle.....	550-650 RPM
W.O.T.# .....	4200-4600 RPM
<b>5.7 Gi</b>	
Idle.....	650 RPM - Not Adjustable
W.O.T.# .....	4200-4600 RPM
<b>5.8 FL</b>	
Idle.....	550-650 RPM
W.O.T.# .....	4000-4400 RPM
<b>5.0 and 5.8 Fi</b>	
Idle.....	600 RPM - Not Adjustable
W.O.T.# .....	4200-4600 RPM
<b>7.4 GL</b>	
Idle.....	550-650 RPM
W.O.T.# .....	4200-4600 RPM
<b>8.2 GL</b>	
Idle.....	550-650 RPM
W.O.T.# .....	4400-4800 RPM

\* In Forward Gear

# Wide Open Throttle

### Oil Filters

3.0 GL and GS.....	P/N 835440-9
4.3 GL and GS.....	P/N 841750-3
5.7 GL and Gi .....	P/N 835779-0
All 5.0 and 5.8 Models.....	P/N 835440-9
7.4 and 8.2 GL.....	P/N 3852030-0

### Oil Pressure - All Models

800 RPM .....	15-30 PSI (103-207 kPa)
2000 RPM .....	40-60 PSI (276-414 kPa)

### PCV Valves

All <i>Ford</i> Models .....	<i>Volvo Penta</i> P/N 3852820-4
------------------------------	----------------------------------

## Spark Plugs

### 3.0 GL and GS

Spark Plug ..... *Volvo Penta # 3854399-7*  
Gap..... 0.045 in. (1,143 mm)  
Torque..... 22 ft. lbs. (30 N·m)

### 4.3 GL and GS

Spark Plug ..... *Volvo Penta # 3854400-3*  
Gap..... 0.045 in. (1,143 mm)  
Torque..... 22 ft. lbs. (30 N·m)

### 5.0 and 5.8 FL

Spark Plug ..... *Volvo Penta # 3854400-3*  
Gap..... 0.035 in. (0,889 mm)  
Torque ..... 5-10 ft. lbs. (6,7-13,5 N·m)

### 5.7 GL

Spark Plug ..... *Volvo Penta # 3854400-3*  
Gap..... 0.035 in. (0,889 mm)  
Torque..... 22 ft. lbs. (30 N·m)

### 5.0 Fi

Spark Plug ..... *Volvo Penta # 3854399-7*  
Gap..... 0.045 in. (1,143 mm)  
Torque ..... 5-10 ft. lbs. (6,7-13,5 N·m)

### 5.8 Fi

Spark Plug ..... *Volvo Penta # 3854398-9*  
Gap..... 0.045 in. (1,143 mm)  
Torque ..... 5-10 ft. lbs. (6,7-13,5 N·m)

### 5.7 Gi

Spark Plug ..... *Volvo Penta # 3854398-9*  
Gap..... 0.035 in. (0,889 mm)  
Torque..... 22 ft. lbs. (30 N·m)

### 7.4 and 8.2 GL

Spark Plug ..... *Volvo Penta # 876047-2*  
Gap..... 0.035 in. (0,889 mm)  
Torque..... 22 ft. lbs. (30 N·m)