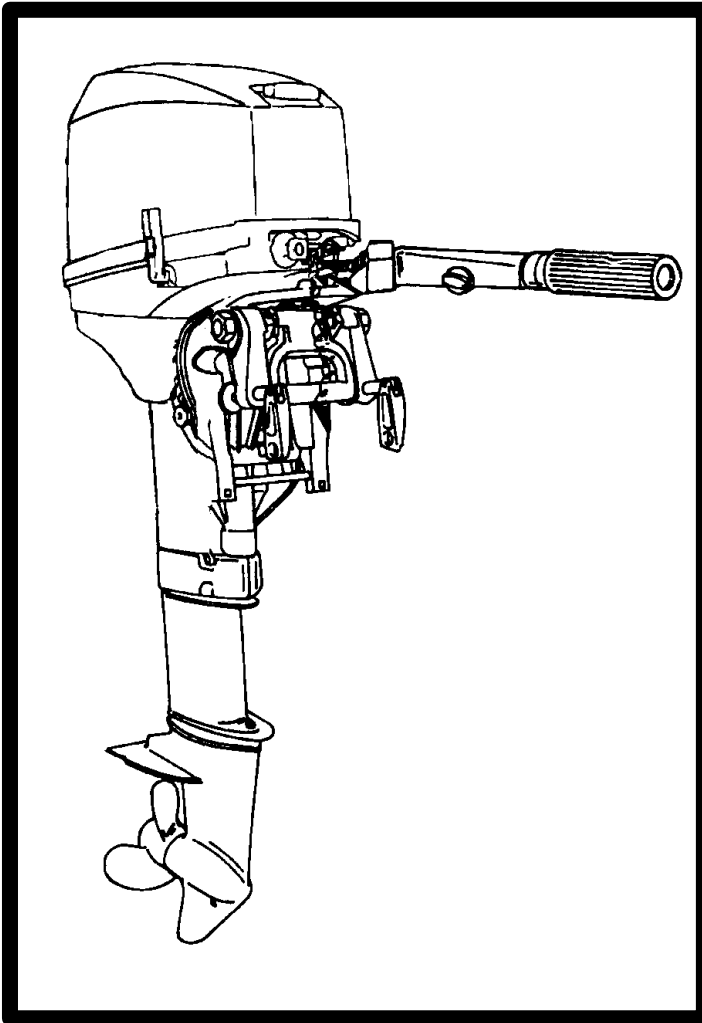


# 15 SEAPRO 15 MARATHON



## NEW MODEL TECHNICAL INFORMATION

The service manual for the model(s) listed is being prepared. Retain this publication on specifications and timing/synchronizing procedures until the appropriate manual is received. Additional copies available. Contact the Publications Department, telephone 414-929-5110



# Table of Contents


	<b>Page</b>
General Specifications .....	1
Powerhead Specifications .....	3
Special Tools .....	3
Powerhead Torque Sequence and Torque Specifications .....	4
Reed Block Assembly .....	5
Fuel Flow and Bleed System .....	6
Cylinder Block and Covers .....	8
Crankshaft Assembly .....	10
Ignition Electrical Components .....	12
Ignition Component Description .....	14
Trigger Coil .....	14
Stator .....	14
Flywheel .....	15
Ignition Coil .....	15
Ignition Switch Box .....	15
Electronic Spark Advance .....	16
Ignition Troubleshooting .....	17
Wiring Diagram .....	18
Ignition Circuit .....	19
Ignition Diagnostic Procedures .....	20
Special Tools .....	20
Throttle and Shift Linkage .....	22
Starter Assembly .....	24
Carburetor Adjustments .....	26
Low Speed Mixture Screw .....	26
Main Jet .....	26
Carburetor Float Adjustment .....	26
Fuel System	
Fuel Pump .....	27
Carburetor .....	28
Fuel System Components .....	30
Drive Shaft Housing .....	32
Clamp Bracket Assembly .....	34
Swivel Bracket and Steering Handle .....	36
Tiller Handle Assembly .....	38
Gear Housing .....	40
Special Tools .....	40
Gear Housing Assembly	
Drive Shaft .....	42
Propeller Shaft .....	44
Cowl Assembly .....	46
Final Line Box Assembly .....	48
Timing/Synchronizing/Adjusting Specifications .....	50
Tiller Handle Model .....	50
Recommended Maximum Timing Checking/Adjustment Procedure .....	51
Adjusting Maximum Timing .....	52
Propeller Information Chart - 15 HP SeaPro/Marathon .....	54



# General Specifications

<b>Model 15 SeaPro/Marathon</b>		
<b>OUTBOARD WEIGHT</b>	15 in. (38 cm) 20 in. (51 cm)	90 lbs - 41Kg 95 lbs - 43 Kg
<b>CYLINDER BLOCK</b>	Type Displacement	Two Cylinder - Two Cycle 24.4 cu. in. (400 cc)
<b>STROKE</b>	Length	2.362 in. (60 mm)
<b>CYLINDER BORE</b>	Diameter (Standard) Taper/Out of Round Maximum Bore Type	2.562 in. (65.01 mm) 0.003 in. (0.08 mm) Chrome
<b>CRANK SHAFT</b>	Top Main Bearing Journal Center Main Bearing Journal Bottom Main Bearing Journal Connecting Rod Journal End Play	1.251 in. (31.77 mm) 1.000 in. (25.40 mm) 1.125 in. (28.58 mm) .883 in. (22.43 mm) .004-.019 (0.10-0.64 mm)
<b>CONNECTING ROD</b>	Piston Pin End (I.D.) Crankpin End (I.D.)	.897 in. (22.78 mm) 1.196 in. (30.38 mm)
<b>PISTON</b>	Piston Type O.D. at Skirt (Standard) Ring End Gap	Aluminum 2.5583 - 2.5593 in. (64.98 mm - 65.0 mm) .011-.025 (.28 mm - .64 mm)
<b>GEAR HOUSING</b>	Forward - Neutral - Reverse Gear Ratio Gearcase Capacity Lubricant Type  Forward Gear - No. of Teeth-Type Pinion Gear - No. of Teeth-Type Pinion Foreword Gear Backlash Reverse Gear Backlash Water Pressure @ RPM Water Pressure With 120° Thermostat	Full Shift 2.0:1 6.8 fl.oz. (205 ml) Quicksilver Gear Lube Premium Blend  26 13 Floating Not Adjustable Not Adjustable 2-7 PSI @ 2000 RPM 0-6 PSI (SPORADIC)
<b>MID SECTION</b>	Transom Height - Short Shaft - Long Shaft	15 in. (38 cm) 20 in. (51 cm)
<b>FUEL SYSTEM</b>	Fuel Pump Type Recommended Gasoline  Fuel Tank Capacity Operating Fuel/Oil Ratio	Integral Automotive Regular or Unleaded with a Minimum Pump Posted Octane Rating of 87 6.6 U.S. Gallons 50:1
<b>OIL</b>	Recommended Oil (Pre-Mix @ 50:1)	NMMA TC-W II or TC-W III 2-Cycle Outboard Oil
<b>STARTING SYSTEM</b>	Manual Start	Recoil
<b>CHARGING SYSTEM</b>	Alternator Output (Stator Only)	5 Amp. (60 Watt) @ 4000 RPM

## Model 15 SeaPro/Marathon

<b>IGNITION SYSTEM</b>	<b>Type</b> <b>Spark Plug Type (NGK)</b> <b>Spark Plug Gap</b> <b>Optional (Optional Plug)</b> <b>Firing Order</b>	Capacitor Discharge (NGK) BP8H-N-10 .040 IN. (1.0mm) (NGK) B8HS 1-2
<b>CARBURETOR SPECIFICATIONS</b>	<b>Idle RPM</b>  <b>Wide Open Throttle (WOT) RPM</b> <b>Idle Mixture Screw Adjustment (Preset - Turns Out)</b>	750 ± 50 RPM (In Forward Gear) 4500 - 5500 1-1/2
<b>TIMING SPECIFICATIONS</b>	<b>Idle at 750 ± 50 RPM</b> <b>Maximum BTDC (Running) *</b> <b>Set Up Timing*</b>  <div style="background-color: #cccccc; padding: 5px; text-align: center;">  <b>WARNING</b> </div> <p>*To prevent personal injury or possible death, from loss of balance or stability while servicing the motor, DO NOT attempt to check or adjust timing while boat is in motion. Failure to follow one of the recommended servicing procedures may result in the person falling overboard or causing personal injury from fall in boat.</p>	4° ± 1° (Not Adjustable) 25° 28° B.T.D.C. @ 3000 ± 200 R.P.M.